

CENTRO 1 (2250mm - double sided tape)

Graphic Specification

1965mm x 2250mm

Visible graphic area
1965mmH x 2250mmW

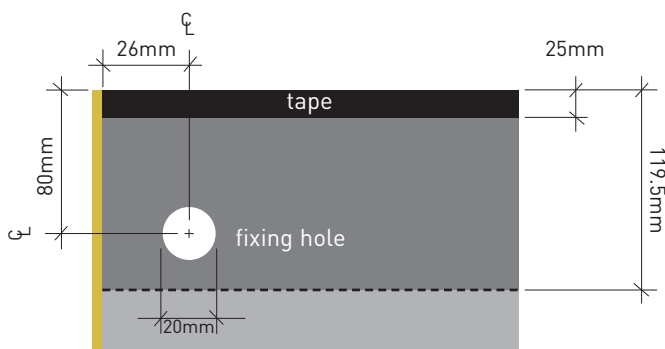
Finished print size
2204mmH x 2250mmW

Image bleed area
2204mmH x 2270mmW
(10mm to vertical edges of
the design)

TOP



BOTTOM



Fixing Hole Diagram:

- 26mm from outside edge to centre.
- 80mm from trimmed end to centre.
- Hole Diameter 20mm allows hex key to connect clamp to post

119.5mm extra for overlap based on using 25mm wide double-sided tape to secure graphic. This makes a 94.5mm pocket.

---- Graphic folding edge/crease line



CENTRO 1 (2250mm - sewn pockets)

Graphic Specification

1965mm x 2250mm

Visible graphic area
1965mmH x 2250mmW

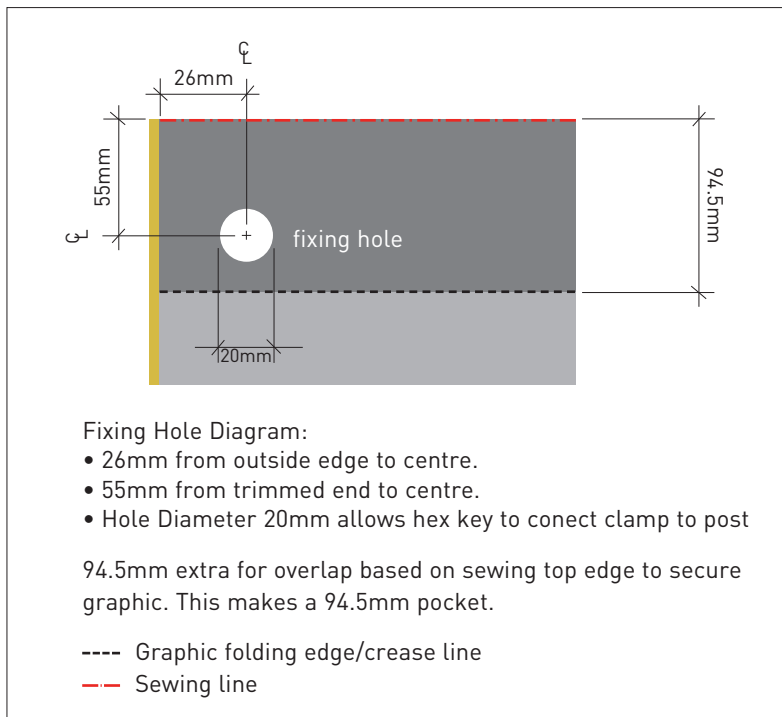
Finished print size
2154mmH x 2250mmW

Image bleed area
2154mmH x 2270mmW
(10mm to vertical edges of
the design)

TOP

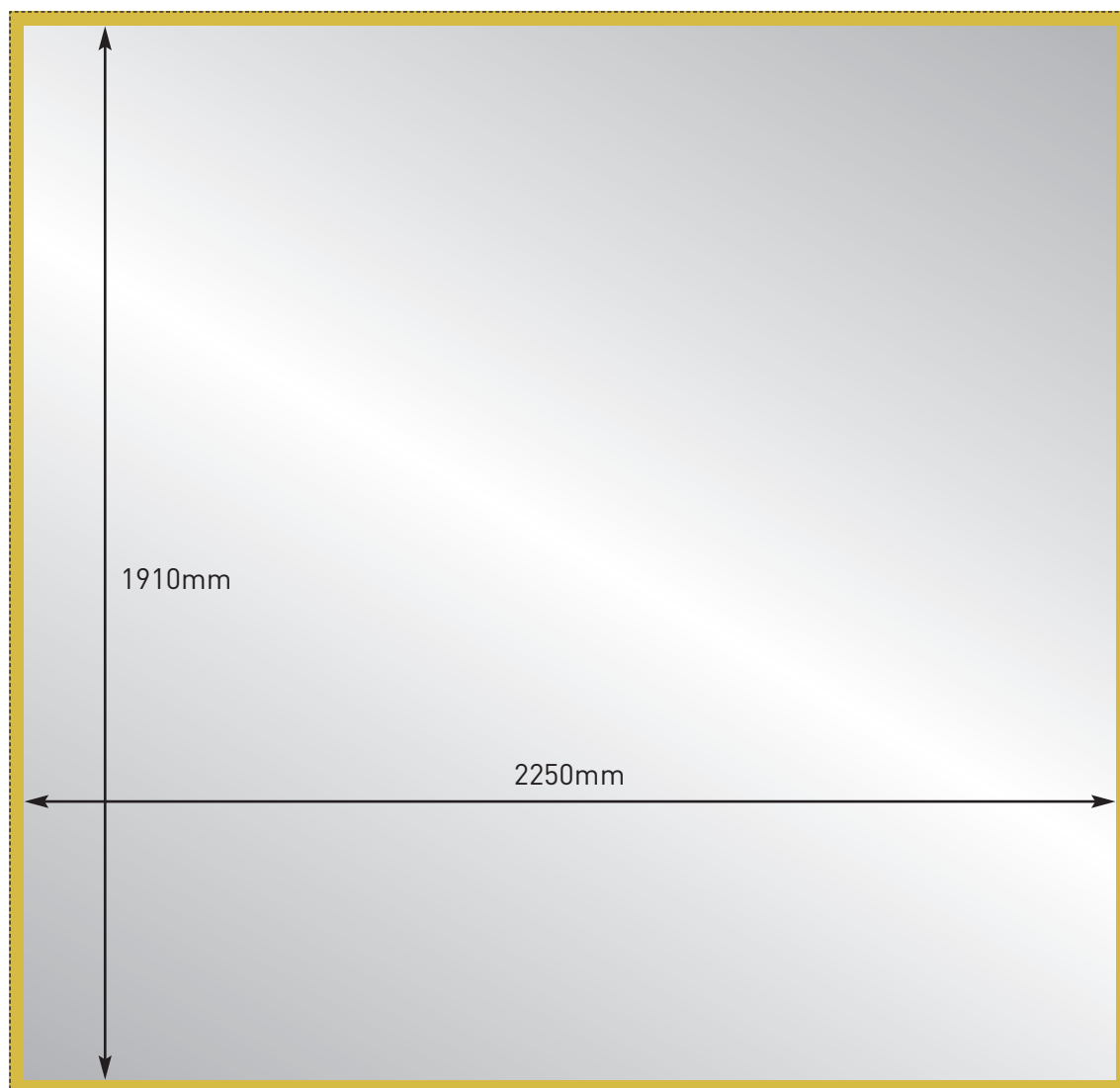



BOTTOM





CENTRO 1 (2250mm) Graphic Specification for rigid panel

1910mm x 2250mm



 Visible graphic area
1910mmH x 2250mmW

 Finished print size
1930mmH x 2264mmW
(7mm max. panel thickness)

 Image bleed area
1930mmH x 2264mmW
(7mm to vertical edges and 10mm
to horizontal edges of the design)

