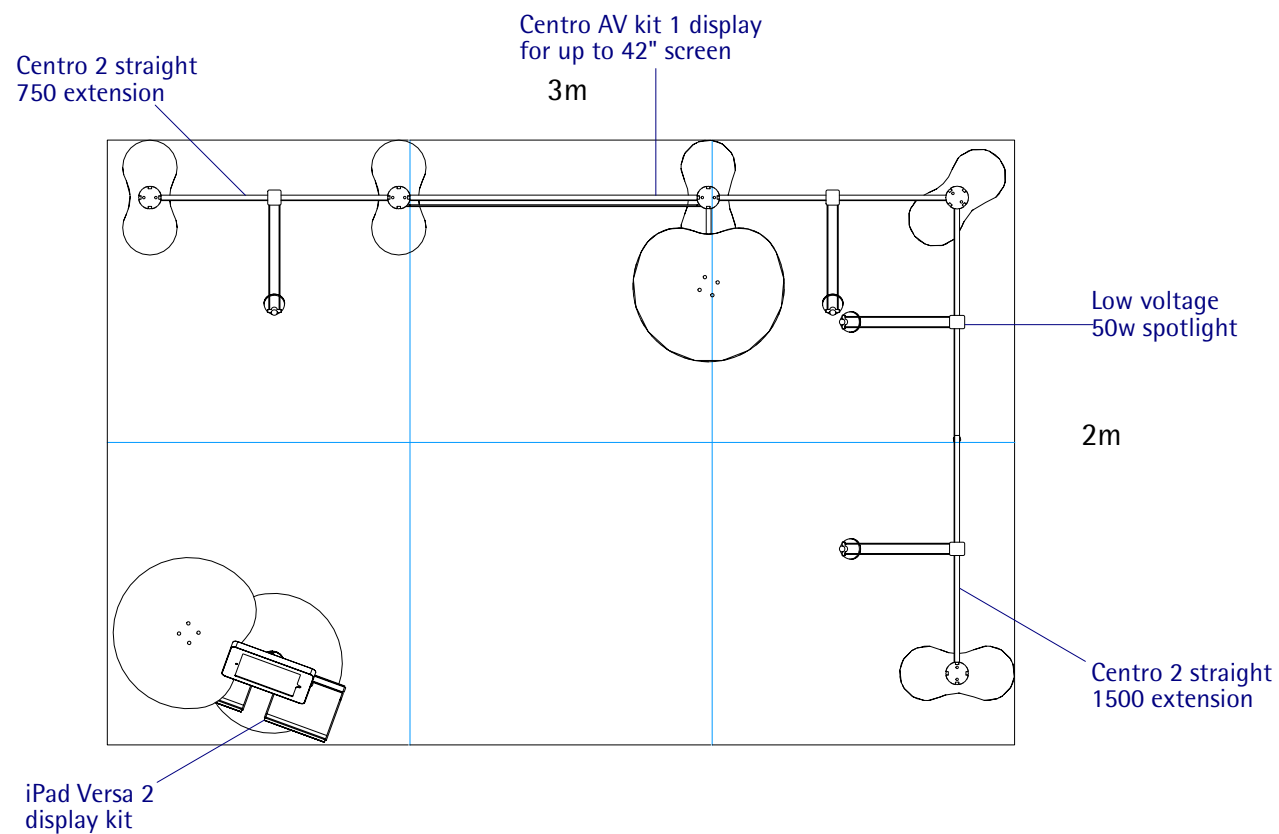


C3x2/2b - 2mH

Scale 1:25



Magnetic graphic panel dimensions

(finished print/cut size and visible graphic area):

- 1 panel (with aperture for screen mount) @ 950mmW x 1990mmH
- 4 panels @ 750mmW x 1990mmH each