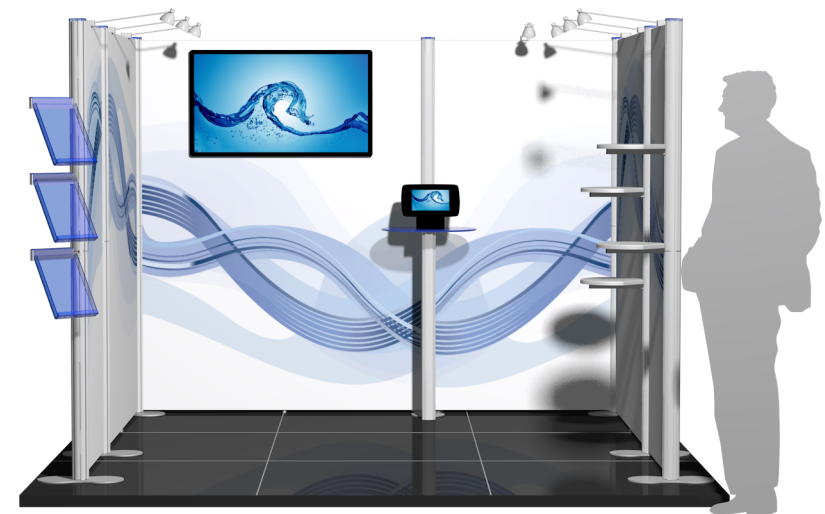
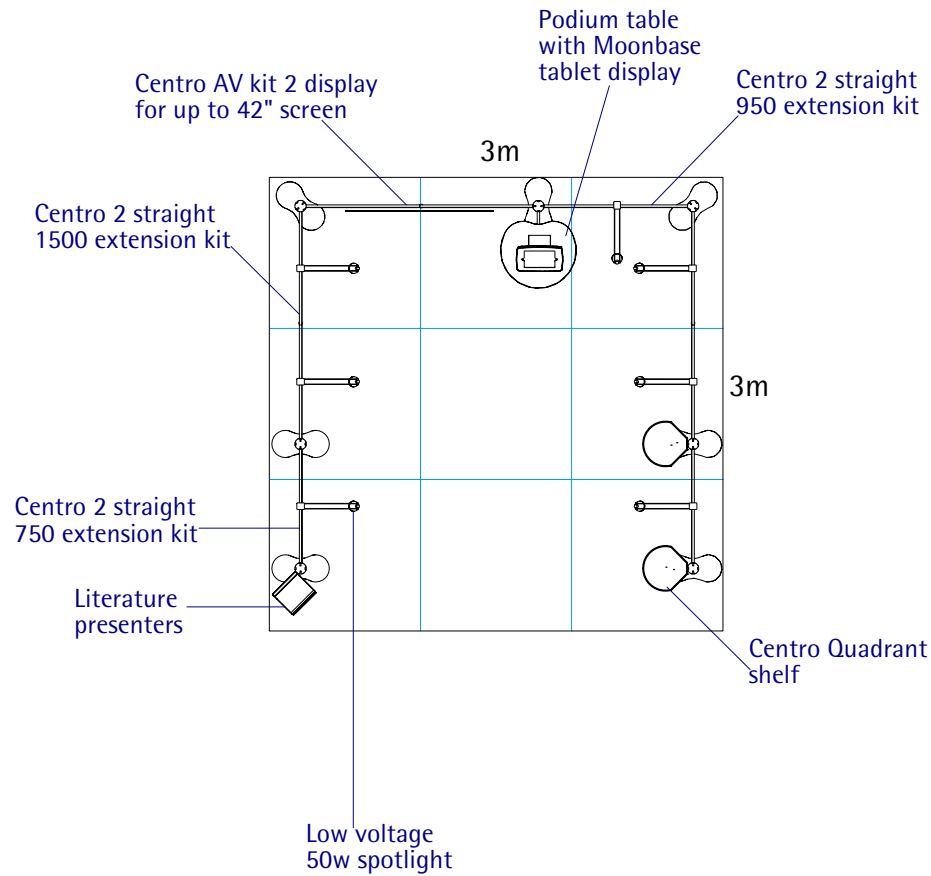


C3x3/1a - 2mH

Scale 1:50



Magnetic graphic panel dimensions (finished print/cut size and visible graphic area):

- 2 panels (with aperture for screen mount) @ 750mmW x 1990mmH each
- 1 panel @ 950mmW x 1990mmH
- 6 panels @ 750mmW x 1990mmH each