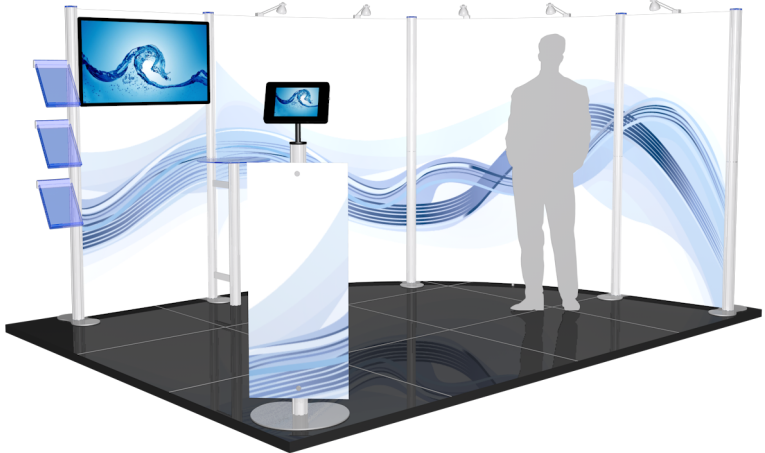
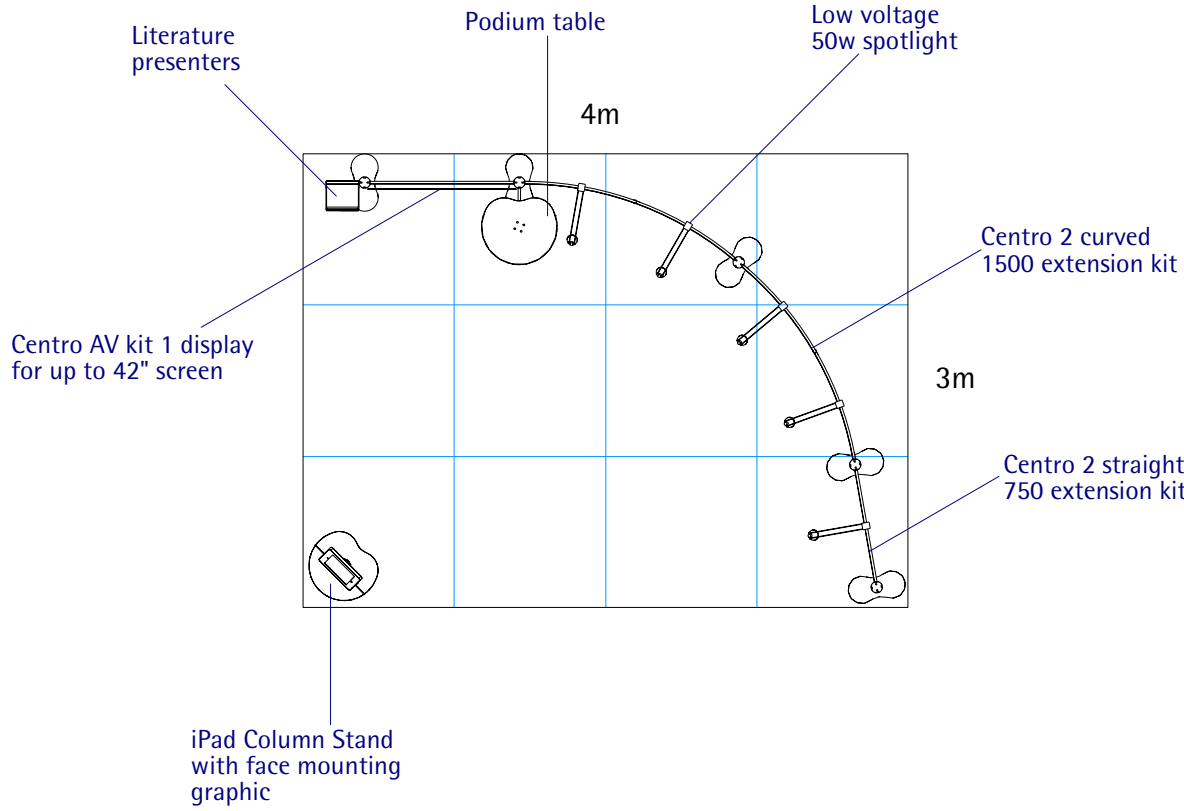


**C4x3/2b - 2mH**

Scale 1:50



5mm thick rigid panel dimensions  
• 1 panel (face mounting graphic) @ 464mmW x 1100mmH

Magnetic graphic panel dimensions (finished print/cut size and visible graphic area):  
• 1 panel (with aperture for screen mount) @ 950mmW x 1990mmH  
• 5 panels @ 750mmW x 1990mmH each